

# SERVICE TIP: Disc Springs / Caps

## Black Trim Self Tailing Winches - Spare Parts

Andersen "Black Trim" self-tailing winches are easily recognised by a black plastic disc on top of the self-tailer. In earlier winches this part was essential for maintaining the spring pressure in the self tailer, and is referred to as a **Disc Spring**. In more recent models it serves only an aesthetic purpose and is called a **Disc Cap**.

Replacement Disc Springs and Disc Caps are still available for most Andersen winches as far back as 25 years or more. To determine the correct part number, check the dimensions of the original part and match them with the information in the table below. Dimensions are also shown on the drawings on the following pages.

If you do not have the original Disc Spring or Cap, there may be another winch of the same model on board that you can use for a reference. Alternatively, check the Year and Version Number which are stamped on the deck flange of your winch. You can use that together with the model number to match with the description of the correct part in the table below.

## PRODUCT NUMBERS & DIMENSIONS

| PRODUCT NO. | IDENTIFICATION DATE or VERSION  | OUTSIDE DIA.<br>mm (in.) | INSIDE DIA.<br>mm (in.) | OVERALL HEIGHT<br>mm (in.) |
|-------------|---|--------------------------|-------------------------|----------------------------|
| RA726300    | DISC SPRING 12/28ST Ending 2005   | 100.5 (3 31/32)          | 56.4 (2 7/32)           | 7.5 (9/32)                 |
| RA726310    | DISC CAP Starting: 12ST v.3.0<br>18ST v.1.0<br>28ST v.3.0<br>34ST v.1.0 | 102.8 (4 1/16)           | 73.9 (2 29/32)          | 5.0 (3/16)                 |
| RA535500    | DISC SPRING 40ST Ending V2.0  | 109.2 (4 5/16)           | 59.5 (2 11/32)          | 9.4 (3/8)                  |
| RA535510    | DISC CAP 40ST Starting V3.0   | 112.0 (4 13/32)          | 77.9 (3 1/16)           | 5.0 (3/16)                 |
| RA720800    | DISC SPRING 46ST Ending 1993  | 113.0 (4 7/16)           | 46.0 (1 13/16)          | 16.5 (21/32)               |
| RA712200    | DISC SPRING 46ST Ending V4.0  | 124.5 (4 29/32)          | 61.0 (2 13/32)          | 11.5 (7/16)                |
| RA712210    | DISC CAP 46/48/50 ST Starting V4.1                                      | 128.6 (5 1/16)           | 89.5 (3 17/32)          | 6.0 (1/4)                  |
| RA526900    | DISC SPRING 52ST Starting V1.0  | 145.0 (5 23/32)          | 66.5 (2 5/8)            | 14.5 (9/16)                |
| RA526901    | DISC SPRING 52ST Ending 2004  | 145.0 (5 23/32)          | 71.0 (2 3/16)           | 14.5 (9/16)                |
| RA526902    | DISC SPRING 52ST Ending V2.5  | 145.0 (5 23/32)          | 71.0 (2 3/16)           | 16.0 (5/8)                 |
| RA526910    | DISC CAP 52ST Starting V3.0   | 149.0 (5 7/8)            | 105.5 (4 5/32)          | 8.3 (5/16)                 |
| RA723200    | DISC SPRING 56ST  | 146.5 (5 25/32)          | 62.0 (2 7/16)           | 18.0 (23/32)               |
| RA737000    | ###DISC SPRING 58/62ST Ending V1.3                                      | 163.0 (6 7/16)           | 84.0 (3 5/16)           | 14.4 (9/16)                |
| RA737001    | DISC SPRING 58/62ST Starting V1.4                                       | 167.4 (6 19/32)          | 82.8 (3 1/4)            | 19.6 (25/32)               |
| RA530900    | DISC SPRING 66ST  | 76.5 (3)                 | 182.5 (7 3/16)          | 19.3 (3/4)                 |
| RA736900    | ###DISC SPRING 68/72ST Ending V2.4                                      | 203.0 (8)                | 100.8 (3 31/32)         | 16.5 (21/32)               |
| RA736901    | ###DISC SPRING 68/72ST Starting V2.5                                    | 204.7 (8 1/16)           | 98.2 (3 7/8)            | 22.1 (7/8)                 |
| RA538600    | ###DISC SPRING 78ST   | 222.0 (8 3/4)            | 102.0 (4 1/32)          | 19.0 (3/4)                 |
| RA527500    | ###DISC SPRING 110ST  | 313.0 (12 11/12)         | 118.5 (4 21/32)         | 31.0 (1 7/32)              |

\*###\* in the description indicates parts available only while supplies last.

On all Andersen winches the production year, month and version number [YY-MM-VER.] are stamped on the top side of the deck flange between the mounting bolt holes; easy to see when the polished winch drum is removed.

Example: The winch in the photo is from August 2014, version number 1.0.



## Removal of Disc Spring

- 1 Remove screws from self-tailing arm.
- 2 Lift self-tailing arm and winch drum from drive shaft together.
- 3 Remove self-tailing arm from winch drum.
- 4 Using a flat screwdriver or fine edged tool, lift the tapered end of the multi-coil circlip gently. Note which side is facing upwards if reinstalling the same spring and mark with permanent marker.
- 5 Continue to lift the circlip tracing clock-wise around the top ring. When removed, the circlip bottom ring should be lower than the other coils.
- 6 To remove the black plastic Disc Spring / Cap, insert a screwdriver under the Disc Spring / Cap on an angle as shown and twist anti-clockwise.

You will need:

- ▶ Large screwdriver (Flat) or, fine edged tool
- ▶ Set of Allen keys
- ▶ Felt-tip permanent marker



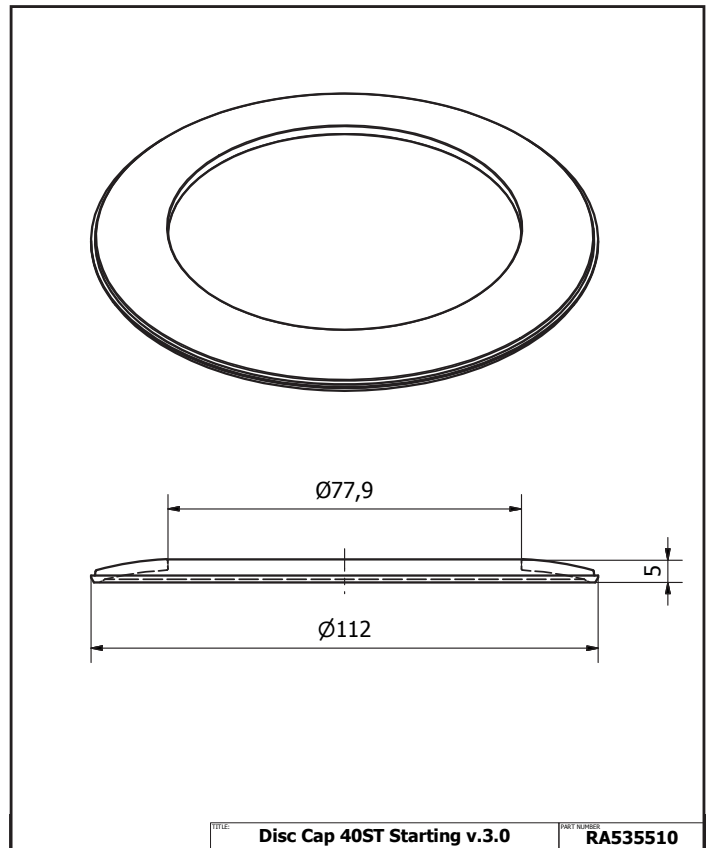
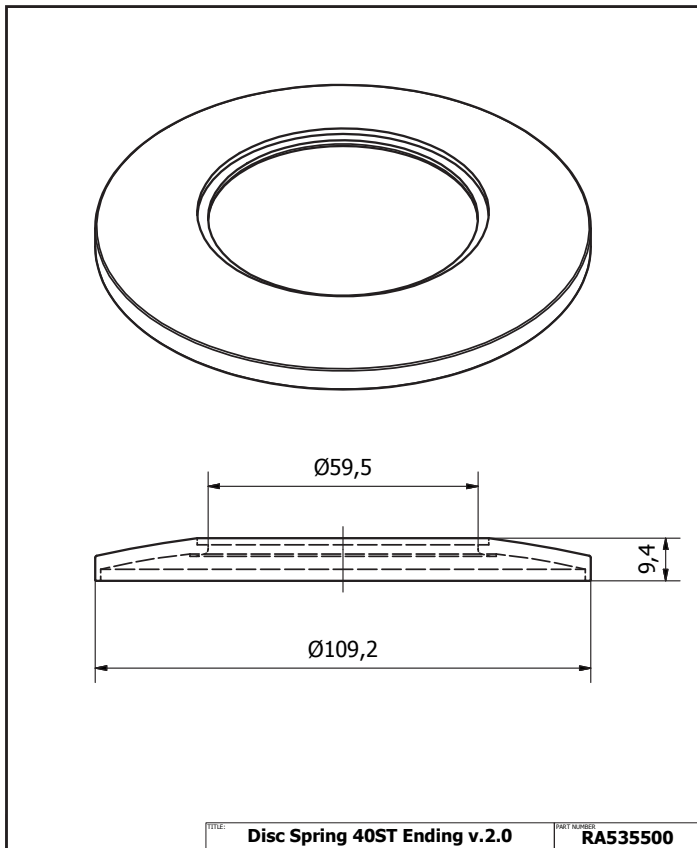
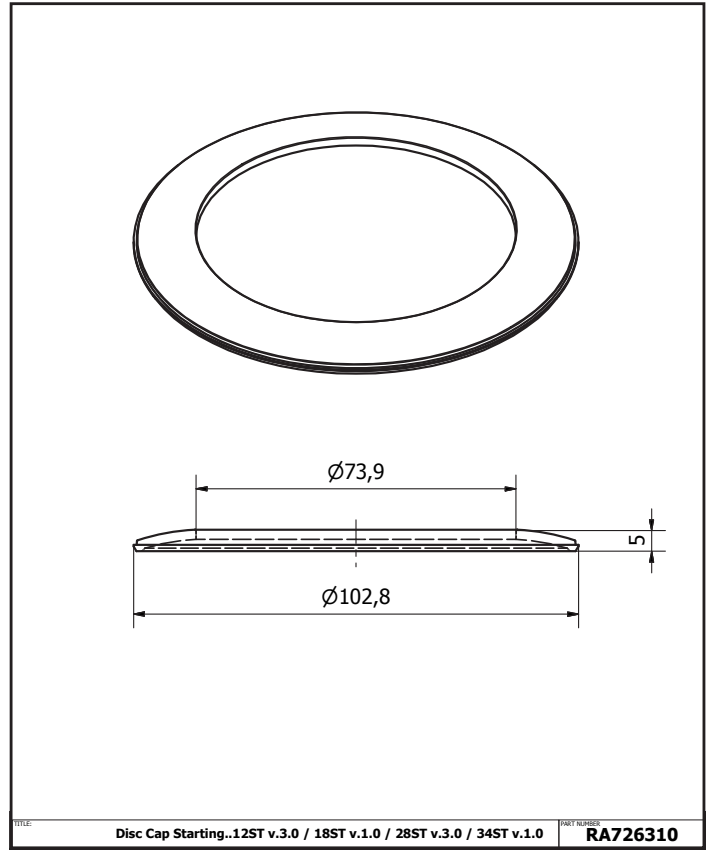
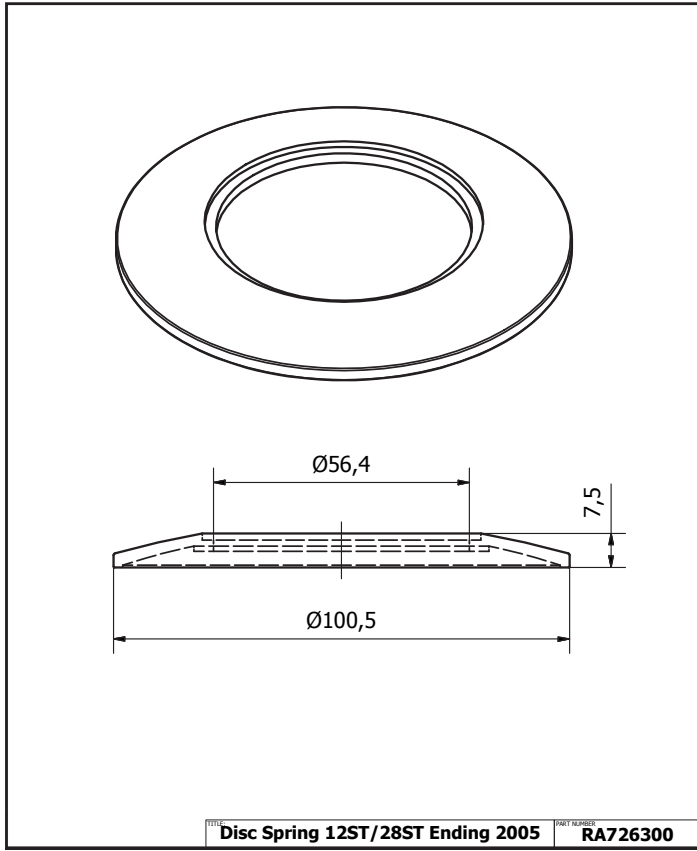
## Reinstallation

- 7 Install a new black plastic Disc Spring / Cap by pushing opposing sides under the rolled edge of the self-tailer top. Press in firmly around the full circumference.
- 8 Begin reinstallation of the circlip with the separated lower end of the spring facing down toward the self-tailer top.
- 9 Continue to install the circlip around the inner edge of the self-tailer top by pressing down firmly.
- 10 If the circlip provides significant resistance when installed, return to step 8.
- 11 Carefully lower the complete winch drum and self-tailing arm onto the drive shaft, install and tighten screws.



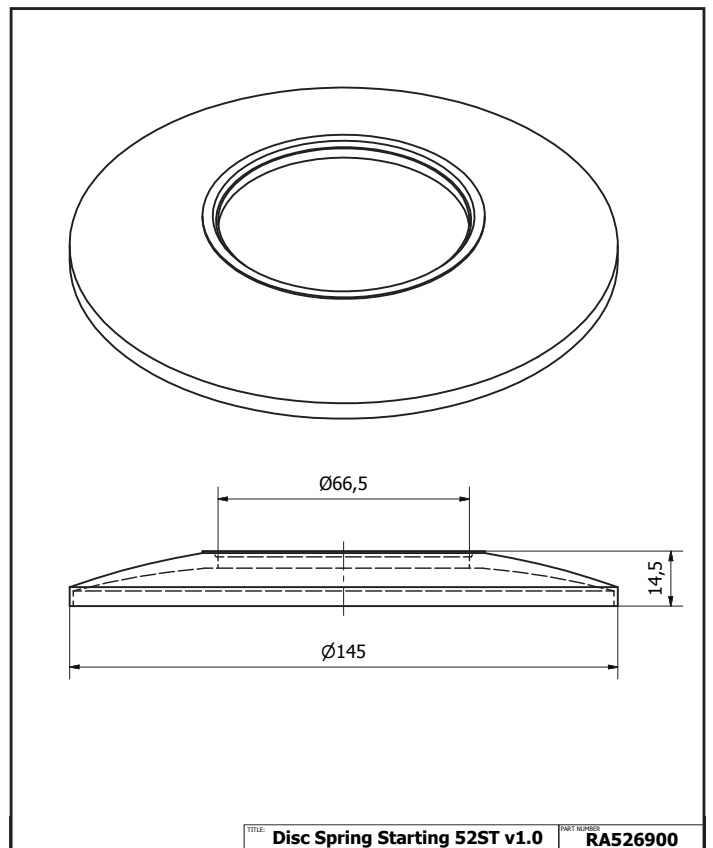
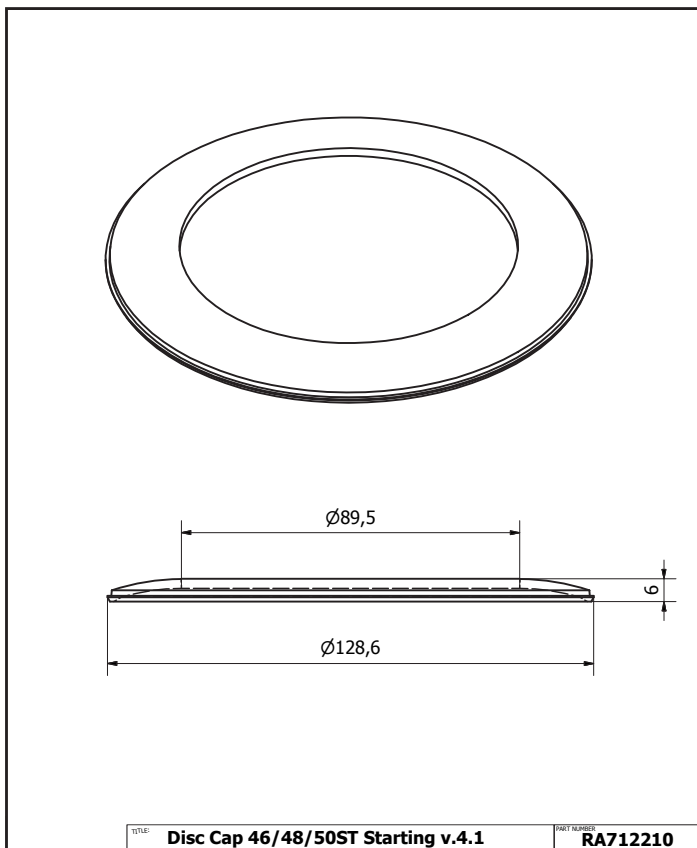
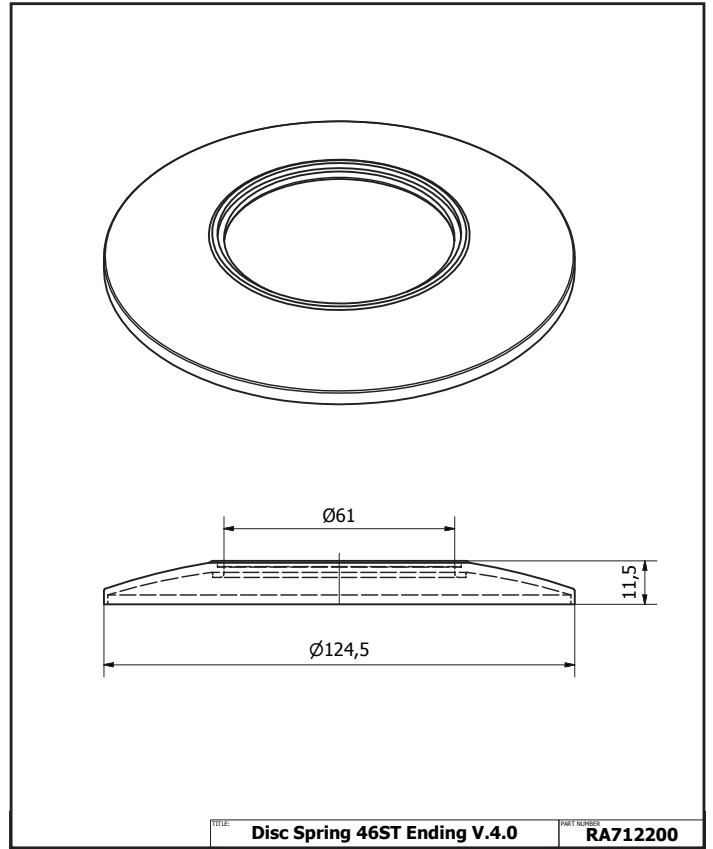
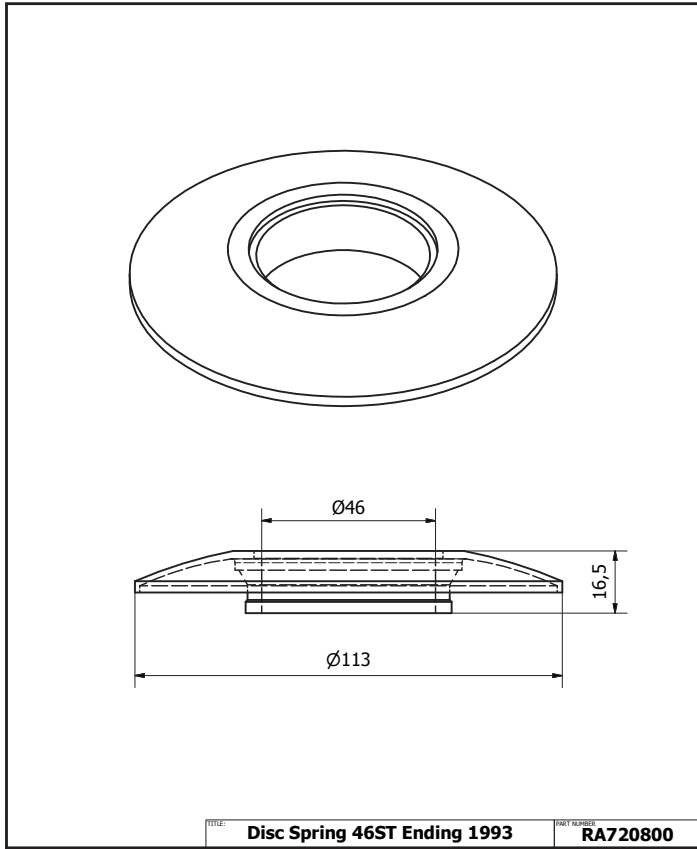
# Disc Springs / Caps

## Black Trim Self Tailing Winches - Spare Parts



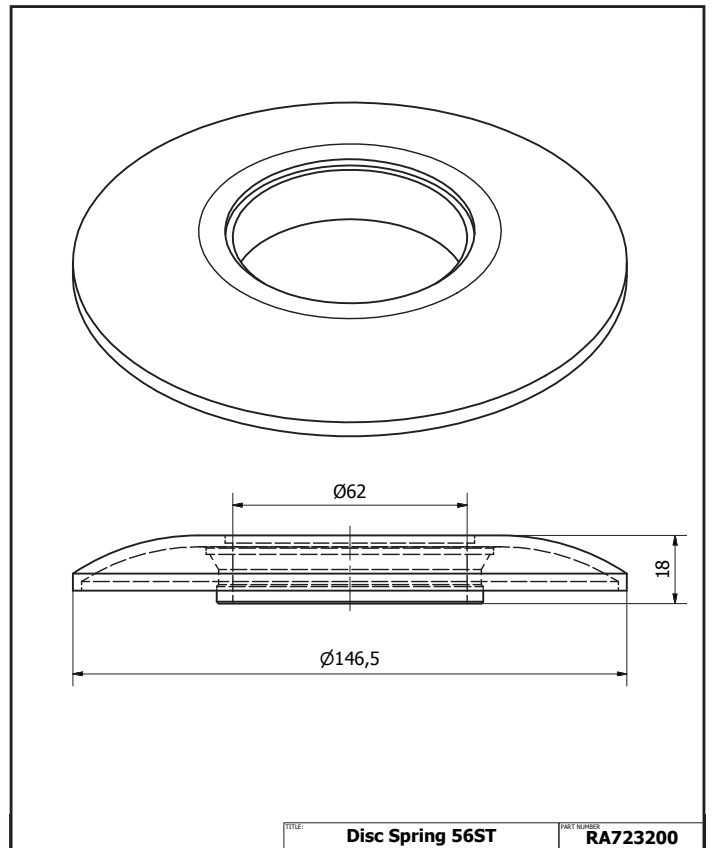
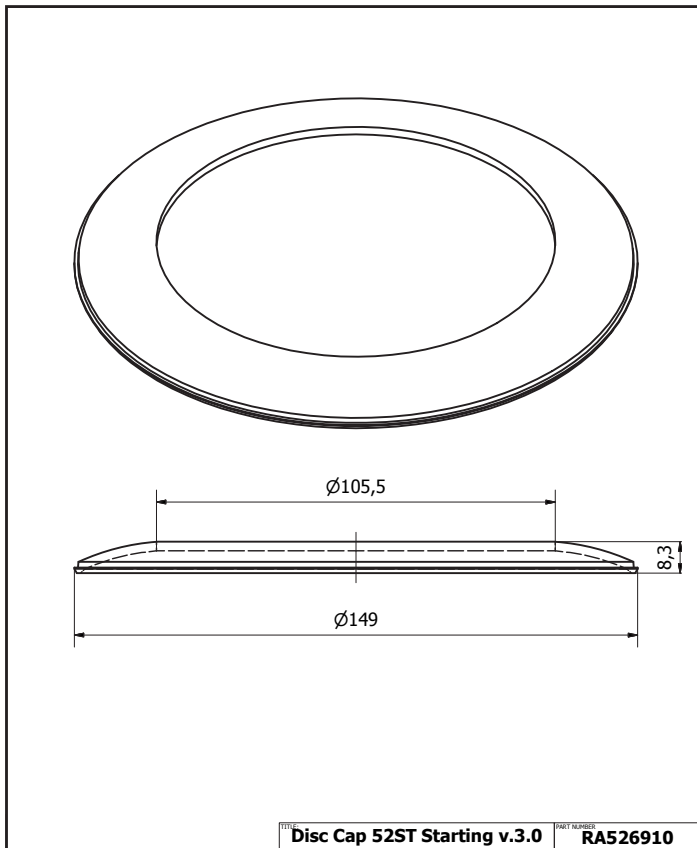
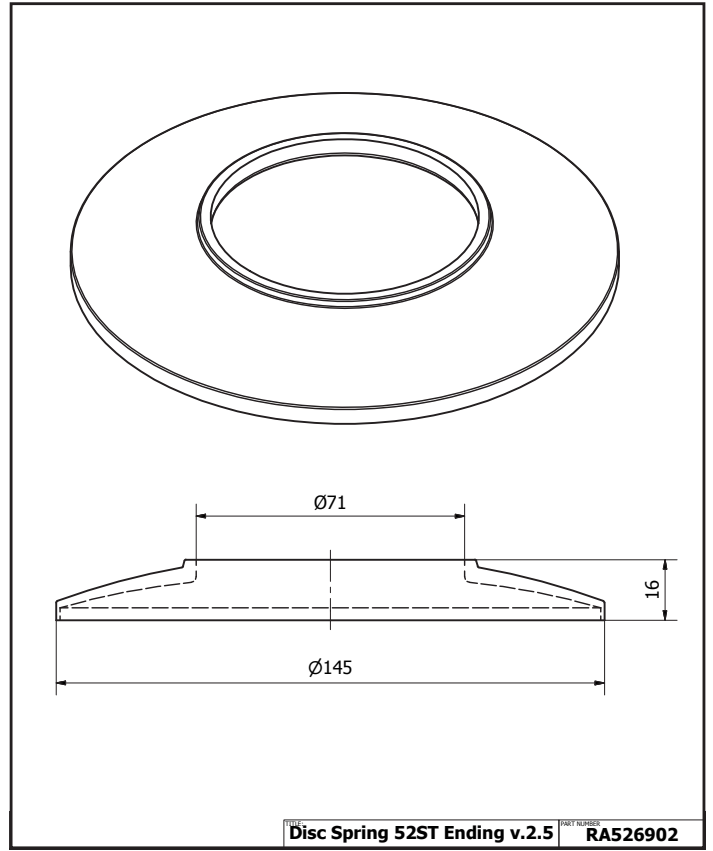
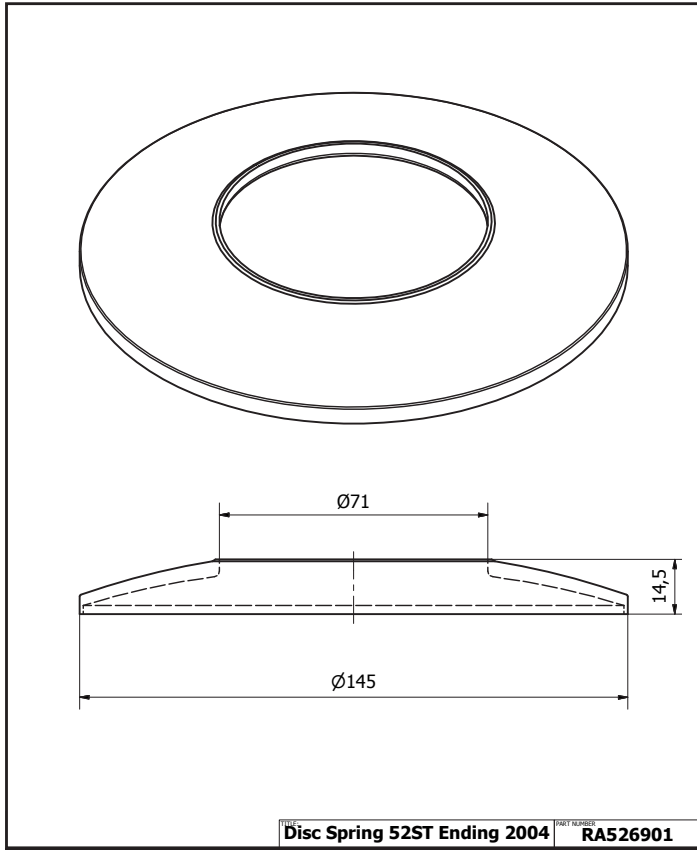
# Disc Springs / Caps

## Black Trim Self Tailing Winches - Spare Parts



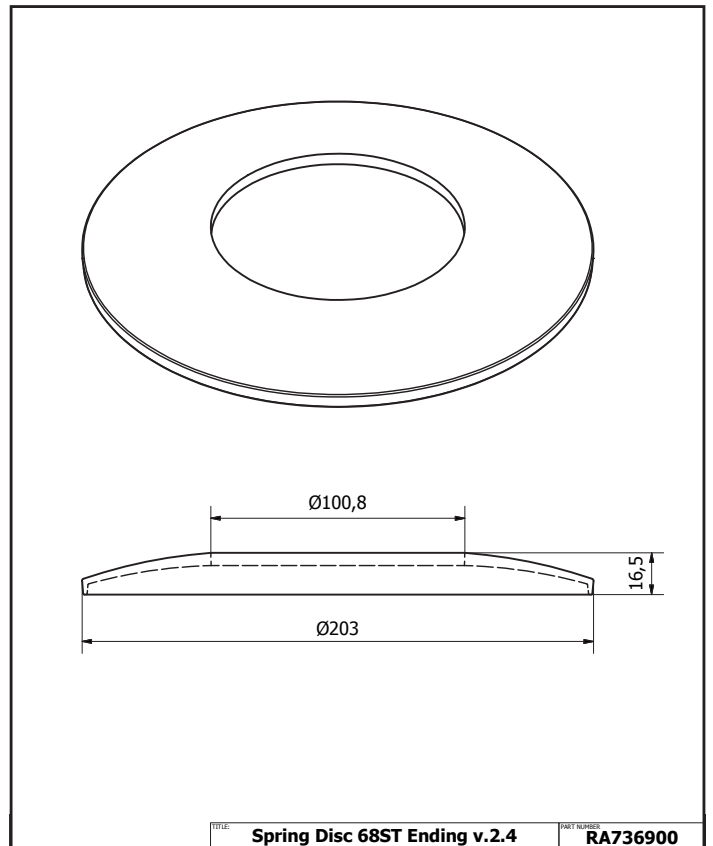
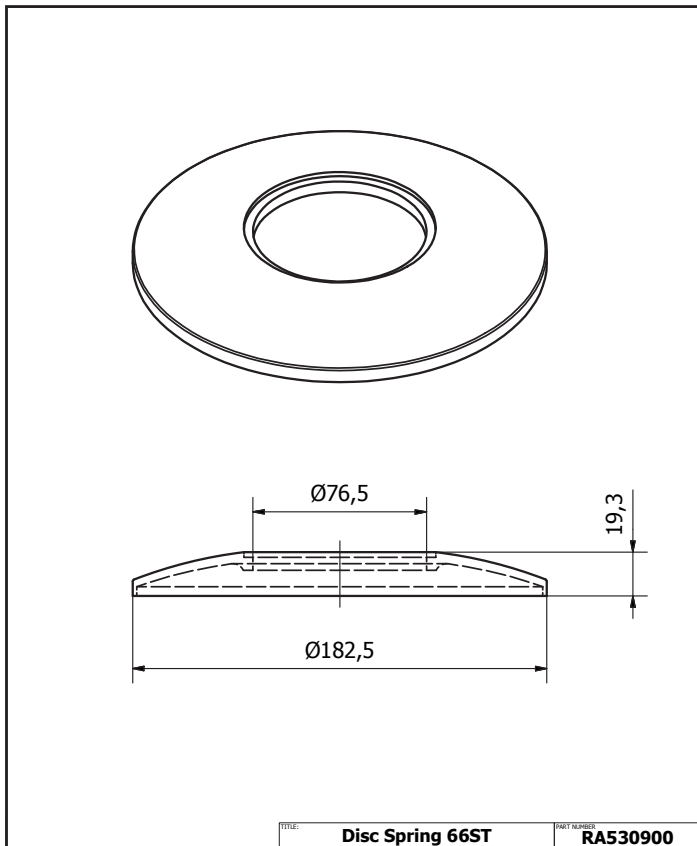
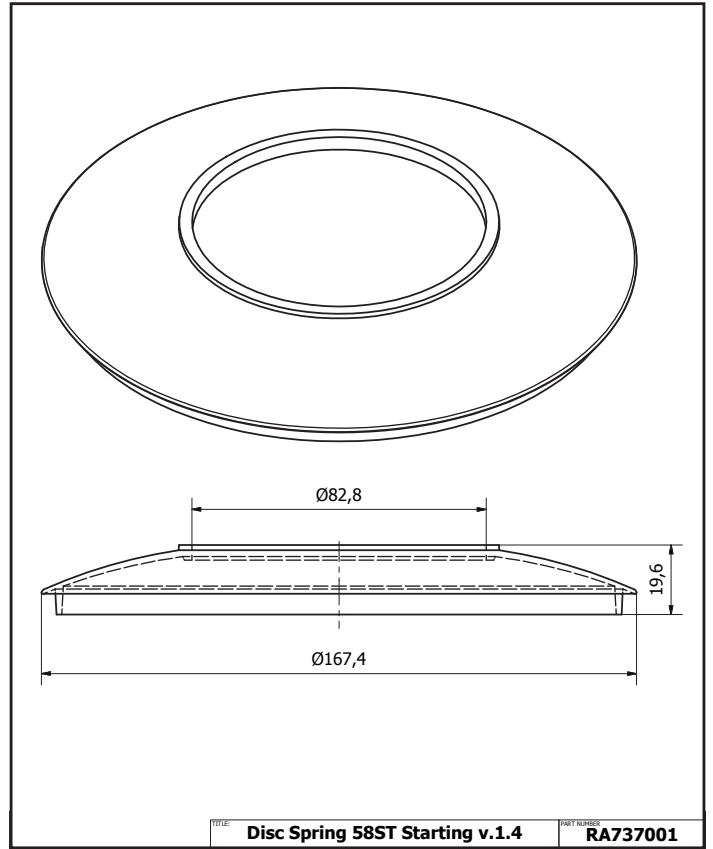
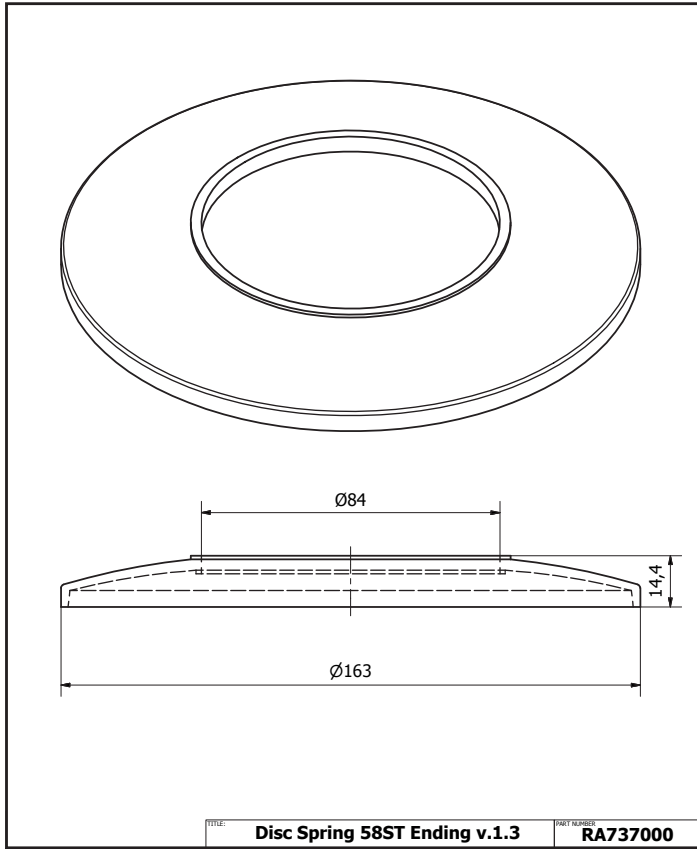
# Disc Springs / Caps

## Black Trim Self Tailing Winches - Spare Parts



# Disc Springs / Caps

## Black Trim Self Tailing Winches - Spare Parts



# Disc Springs / Caps

## Black Trim Self Tailing Winches - Spare Parts

